



- PIN Access
- Mechanical Pushbutton
- Single Access Code
- Mortise
- Lever

Features

Access Control:	Mechanical pushbutton lock—eliminates problems and costs associated with issuing, controlling, and collecting keys and cards. Provides exterior access by combination, while allowing free egress.
No Battery:	Fully mechanical lock eliminates the material and labor expense of battery replacements
Locking Device Options:	Mortise with 1" (25 mm) deadbolt, ¾" (19 mm) two-piece anti-friction latch Mortise with ¾" (19 mm) two-piece anti-friction latch
Number of Codes:	Single access code—one easy to manage code for all users
Programming:	Lock is easily programmed via keypad without removing lock from the door
Handing:	Factory handed; not field reversible
Key Override (Optional):	Small format interchangeable cores, large format removable cores
Operation Modes:	Single credential—access Passage (select models)—Allows access without using the lock entry code Feature activated from the inside with a thumbturn or key (included with all passage feature models) Deadbolt (select models)—Added security of 1" deadbolt Lockout (all models)—Disables the lock from the inside so that the entry codes can not be used to gain access. Access is permitted using key override.
Economical:	A cost effective access control solution

Mechanical Features

Construction:	Cast front housing; unified trim plate; fixed ADA-compliant levers
Numeric Keypad:	Vandal resistant, solid metal pushbuttons
Handing:	Factory handed; not field reversible
Finishes:	Bright Chrome 026 (625), Bright Brass 03 (605), Antique Brass 05 (609), and Satin Chrome 26D (626)
Backset:	2 ¾" (70 mm)
Latch:	¾" (19 mm) two-piece anti-friction latch; accommodates ½" (13 mm) throw, 1" (25 mm) optional deadbolt
Minimum Stile Recommended:	5" (127 mm)
Weight:	9.8 lbs. (3.7 kg)
Strike:	4 7/8" (124 mm) L x 1 ¼" (32 mm) W x ¼" (6 mm) D Deadbolt/Latch mortise strike plate

Key Override

Interchangeable Cores:	Small format–Best and equivalents (6 or 7-pin length)
Removable Cores:	Large format–Medeco/ASSA/Yale (5 or 6-pin length), Corbin Russwin, Schlage, and Sargent

Installation

Door Preparation:	Easily installs on wood or metal doors. Standard (86) mortise preparation
Door Thickness:	1 3/4" (44 mm) to 2 1/4" (57 mm)
Items Supplied Include:	Lock assembly, installation manual, full-scale template, combination change tool, and required installation hardware

Certification and Testing

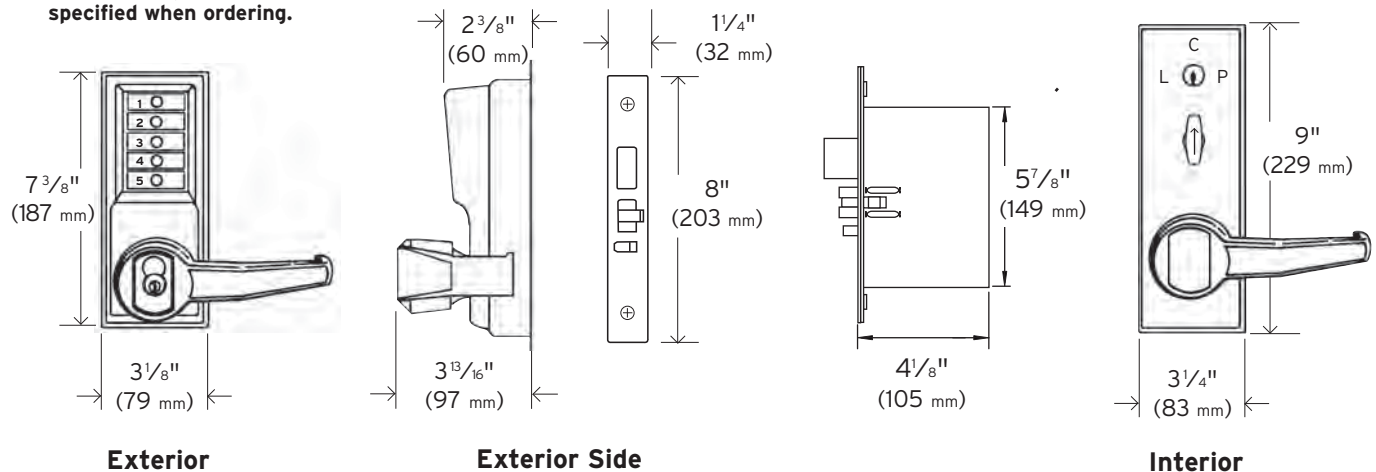
Accessibility Standard:	Americans with Disabilities Act (ADA)
Durability:	Highly weather resistant
Fire Rating:	3-hour UL/ULC fire rating for "A" labeled doors

Warranty

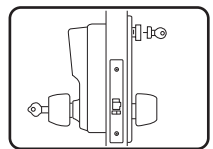
Warranty:	3-year warranty
------------------	-----------------

Mortise

Door handing must be specified when ordering.

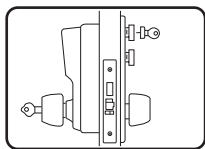


Model 8146



- Combination Entry
- Key Override (not supplied)
- Passage
- Lockout

Model 8148



- Combination Entry
- Key Override (not supplied)
- Passage
- Lockout
- Deadbolt