



- PIN Access
- Mechanical Pushbutton Lock
- Single Access Code
- Deadbolt/Spring Latch/Rim Deadlocking Latch
- Thumbturn

### Features

<b>Access Control:</b>	Mechanical pushbutton lock—eliminates problems and costs associated with issuing, controlling, and collecting keys and cards. Provides fully mechanical primary or auxiliary pushbutton access control by exterior combination, while allowing free egress at all times by interior thumbturn. Deadbolt models must be manually relocked. Deadlocking latch models automatically relock each time the door closes.
<b>No Battery:</b>	Fully mechanical lock eliminates the material and labor expense of battery replacements
<b>Locking Device Options:</b>	Deadbolt—must be manually relocked Deadlocking latch—relocks automatically when door closes Rim locking latch—relocks automatically when door closes; also has latch holdback
<b>Number of Codes:</b>	Single access code—one easy to manage code for all users
<b>Programming:</b>	Lock is easily programmed via keypad without removing lock from the door
<b>Handing:</b>	Field reversible
<b>Operation Modes:</b>	Single credential—access Latch holdback (7106 only)
<b>Economical:</b>	A cost effective access control solution

### Mechanical Features

<b>Construction:</b>	All metal cast front housing; force-proof, clutch-protected exterior thumbturn
<b>Numeric Keypad:</b>	Vandal resistant, solid metal pushbuttons
<b>Handing:</b>	Field reversible
<b>Finishes:</b>	<b>For all models except 7106:</b> Bright Brass 03 (605), Satin Chrome 26D (626), Antique Copper (AC) (059), Gold Vein (GV) (060), Antique White (AW) (062), Silver Vein (SV) (061), Black 19 (676), and Antique Brass 05 (609) <b>Model 7106:</b> Inside Trim (Black Only) All other Black models, Inside Trim (Satin Chrome)
<b>Latch:</b>	1" (25 mm) tubular deadbolt ½" (13 mm) deadlocking latch ⅝" (16 mm) rim deadlocking latch
<b>Backset:</b>	2 ¾" (70 mm) or 2 ⅜" (60 mm) backset
<b>Strike:</b>	Models 7102 and 7108: Flat deadbolt strike plate Model 7104: Curved lip strike plate Model 7106: Box strike for in-swing doors and flat strike for out-swing doors
<b>Minimum Stile Required:</b>	4" (102 mm)
<b>Weight:</b>	2.5 lbs. (1.1 kg)

### Installation

<b>Installation:</b>	1 3/8" (35 mm) diameter through bore; 1" (25 mm) diameter cross bore; 3/4" (19 mm) through bore; 2 x 1/4" through bores
<b>Door Thickness:</b>	1 3/8" (35 mm) to 2 1/4" (57 mm), wood or metal
<b>Items Supplied Include:</b>	Installation manual, full-scale template and required installation hardware

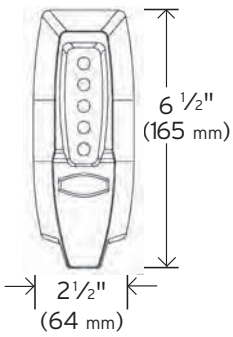
### Certification and Testing

<b>Durability:</b>	Highly weather resistant
--------------------	--------------------------

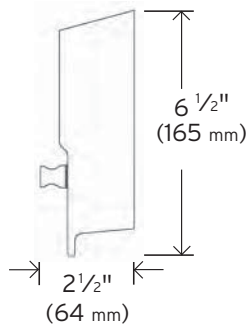
### Warranty

<b>Warranty:</b>	1-year warranty
------------------	-----------------

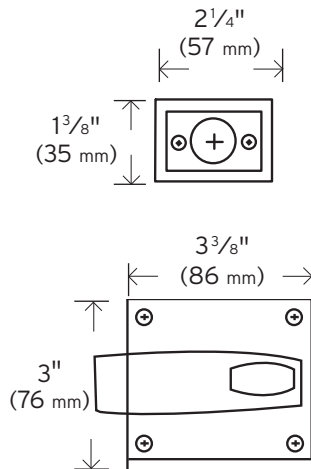
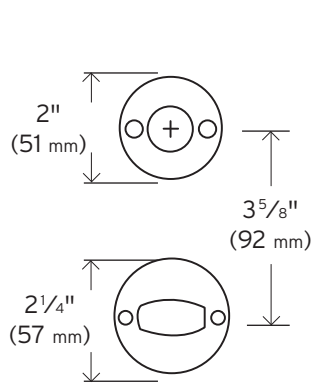
### Auxiliary Lock



**Exterior**



**Exterior Side**

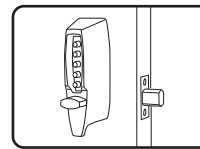


**Interior**

**Models 7102, 7104, 7108**

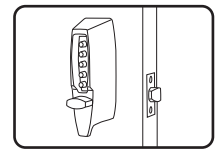
**Models 7106**

#### Model 7102



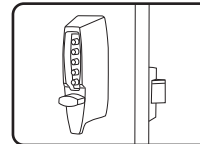
- 1" (25 mm) Tubular Deadbolt, Flat Face Plate
- Backset 2 3/4" (70 mm)
- Auxiliary Lock
- Manual Relock
- Numerous Finishes

#### Model 7104



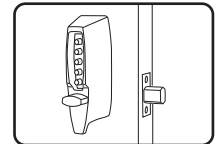
- 1/2" (13 mm) Deadlocking Latch, Flat Face Plate
- Backset 2 3/8"-2 3/4" (60-70 mm) - Adjustable
- Primary/Auxiliary Lock
- Automatic Relock
- Numerous Finishes

#### Model 7106



- 5/8" (16 mm) Rim Deadlocking Latch, Flat Face Plate
- Backset 2 3/8" (60 mm)
- For Wood Doors Only
- Auxiliary Lock
- Automatic Relock and Latch Holdback
- Select Finishes

#### Model 7108



- 1" (25 mm) Tubular Deadbolt, Flat Face Plate
- Backset 2 3/8" (60 mm)
- Auxiliary Lock
- Manual Relock
- Numerous Finishes