



- PIN Access
- Mechanical Pushbutton Lock
- Single Access Code
- Cylindrical
- Thumbturn

SIMPLEX®

Features

Access Control:	Mechanical pushbutton lock—eliminates problems and costs associated with issuing, controlling, and collecting keys and cards. Provides fully mechanical exterior access by combination, while allowing free egress at all times by interior knob.
No Battery:	Fully mechanical lock eliminates the material and labor expense of battery replacements
Locking Device Options:	Cylindrical latch with 3-hour UL/ULC fire rating for “A” labeled doors
Number of Codes:	Single access code—one easy to manage code for all users
Programming:	Lock is easily programmed via keypad without removing lock from the door
Handing:	Factory-handed left; easily field reversible
Operation Modes:	Single credential—access
Economical:	A cost effective access control solution

Mechanical Features

Construction:	All metal cast front housing, force-proof, clutch-protected exterior thumbturn, unified interior trim plate, fixed interior knob
Numeric Keypad:	Vandal resistant, solid metal pushbuttons
Handing:	Factory-handed left; easily field reversible
Finishes:	Hard durable powder paint finishes: Gold Tone (60), Almond (67), Black (85), and Gray (86)
Latch:	½" (13 mm) throw latch, floating or flat face plate (light-duty or UL listed options)
Backset:	2 ¾" (70 mm) or 2 ⅜" (60 mm) backset
Minimum Stile Recommended:	5" (127 mm)
Weight:	4.5 lbs. (2 kg)
Strike:	Standard strike plate

Installation

Installation:	ASA 161 door preparation with 2 additional through bore holes. Lock can be inverted if the existing auxiliary lock obstructs installation
Door Thickness:	1 ⅜" (35 mm) to 2 ¼" (57mm); wood or metal
Items Supplied Include:	Installation manual, full-scale template, combination change tool and required installation hardware

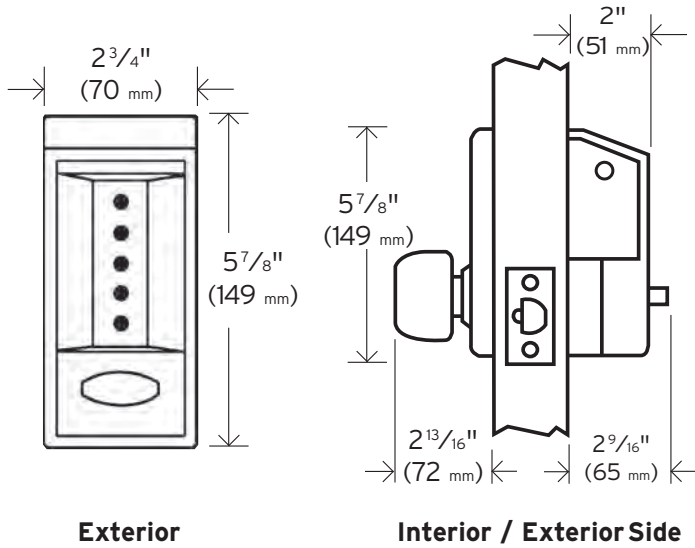
Certification and Testing

Fire Rating:	3-hour UL/ULC Fire rating for “A” labeled doors (select models—see latch options)
Durability:	Highly weather resistant

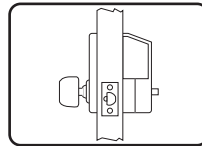
Warranty

Warranty: 1-year warranty

Cylindrical

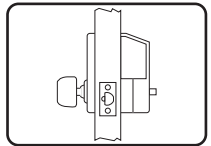


Model 6202



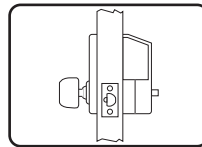
- Combination Entry
- 1/2" (13 mm) Throw Floating Face Plate
- Backset 2 3/8" (60 mm)
- Primary Lock

Model 6204



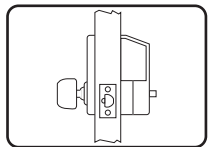
- Combination Entry
- 1/2" (13 mm) Throw Floating Face Plate
- Backset 2 3/4" (70 mm)
- Primary Lock

Model 6214



- Combination Entry
- 1/2" (13 mm) Throw Flat Face Plate
- Backset 2 3/4" (70 mm)
- Primary Lock

Model 6218



- Combination Entry
- 1/2" (13 mm) Throw Flat Face Plate
- Backset 2 3/8" (60 mm)
- Primary Lock